

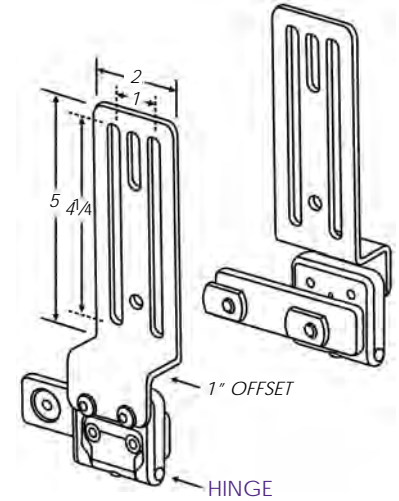
# Hip Guides

## **NEW** FLIPDOWN HIP GUIDE HARDWARE FOR QUANTUM® TB3 CHANNEL/TRACK

**Features:**

- Allows easy addition of hip support on Quantum® TB3 wheelchairs, the hardware slides into the seat channel
- Low profile heavy duty hinge has push button release to flip the Hip Guide Pad down and out of the way for lateral transfers
- Use with hip guide pads on page 70 (sold separately)

Description	Part Number
Hardware Pair, no pads	30096
Hardware Single, no pad	31397



CUSTOM SEATING

BODY POSITIONING

WHEELCHAIR TRAYS

## **NEW** NO-MOUNT HIP GUIDE

**Features:**

- Slips into the space between a cushion and the armrest
- Sold single, can be used on either side
- ABS base with 1" foam and a cover
- Base length is 2" less than pad length
- No hardware is needed to use

Description	Part Number
No-Mount Hip Guide, 14" Long Pad	34503
No-Mount Hip Guide, 16" Long Pad	34504
No-Mount Hip Guide, 18" Long Pad	34505

**SIMPLE HIP GUIDES STAY IN PLACE AND DON'T HAVE TO BE MOUNTED TO THE WHEELCHAIR**

*NO ASSEMBLY...NO LABOR... NO HARDWARE...NO TOOLS!*



SOLD SINGLE

PATIENT TRANSFER

ASSISTIVE TECHNOLOGY

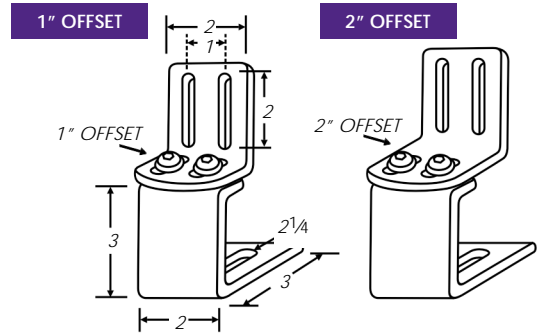
# Hip Guides

## ADJUSTABLE ANGLE HIP GUIDE HARDWARE

**Features:**

- Rotate hip guide up to 21°
- Available with 1" offset or 2" offset
- Use with hip guide pads on page 70 (sold separately)
- May also be used with adductor pads on page 78 (sold separately)

Description	Part Number
Hardware w/1" Offset	50235
Hardware w/2" Offset	50236



CUSTOM SEATING

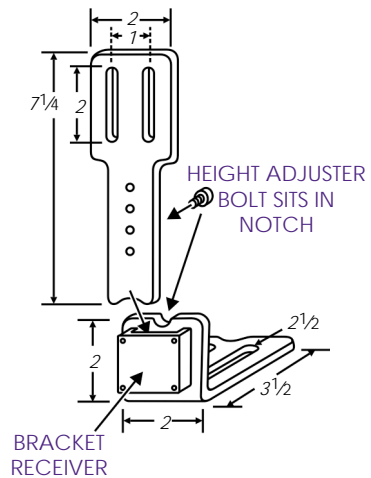
BODY POSITIONING

## REMOVABLE HIP GUIDE HARDWARE

**Features:**

- Quickly remove hip guides from chair
- Slots in bracket allow height adjustment at pad
- Holes in bracket allow height adjustment at bracket receiver in 1/2" increments
- Use with hip guide pads on page 70 (sold separately)
- May also be used with adductor pads on page 78 (sold separately)

Description	Part Number
Hardware w/Flush Bracket	50240
Hardware w/1" Offset Bracket	50241
Hardware w/1 1/2" Offset Bracket	50245
Hardware w/2" Offset Bracket	50242



WHEELCHAIR TRAYS

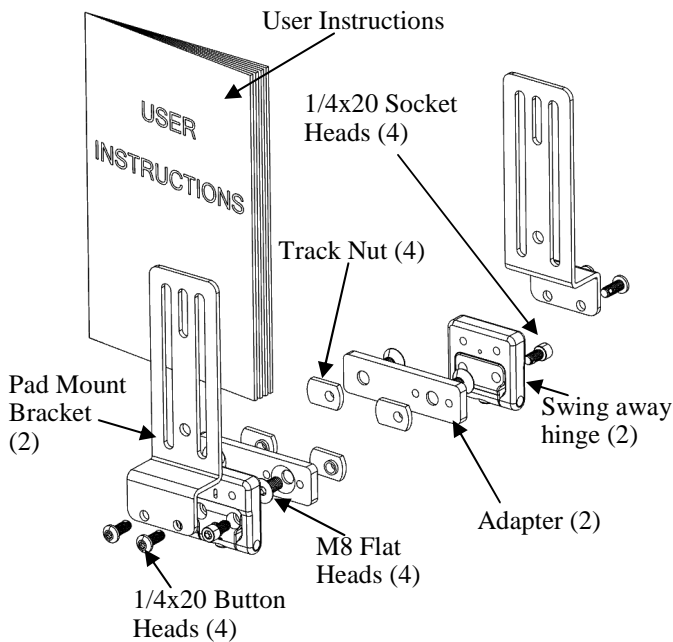
ASSISTIVE TECHNOLOGY

PATIENT TRANSFER

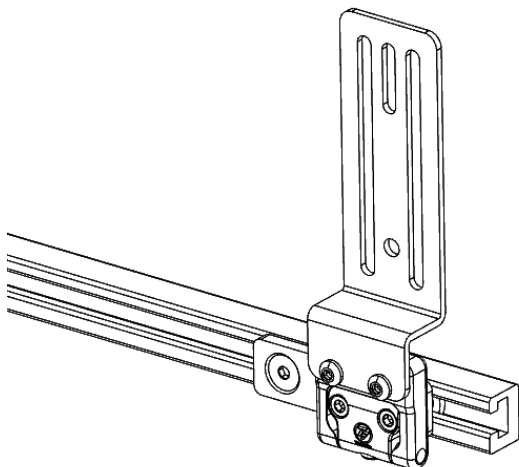
# Flip Away Hip Guide for Quantum

- ⚠ Caution: Read Instructions before operating device.
- ⚠ Caution: Device should be installed by a trained wheelchair technician.
- ⚠ Caution: Use caution when installing, removing or adjusting device to avoid pinching or trapping fingers.
- ⚠ Caution: Always tighten all fasteners securely and inspect fasteners regularly for tightness.

## Product Identification

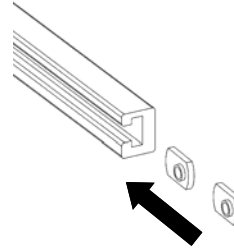


**To Install:**  
Image below shows installed device.

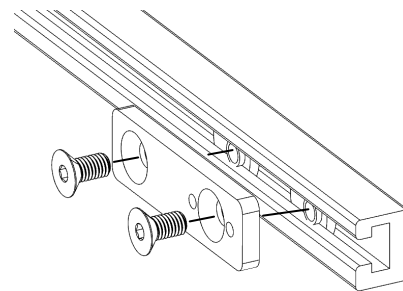


**To Install:**  
Image below shows installed device.

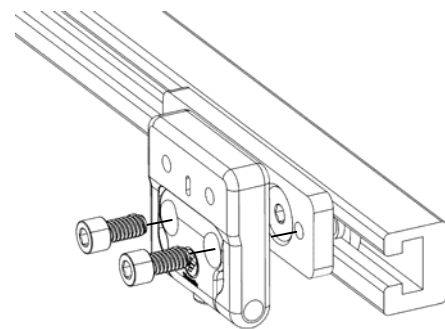
**Step 1:** Slide Track nuts into Track



**Step 2:** Attach Adapter using M8 Flat Head Bolts. Position along track and tighten bolts.



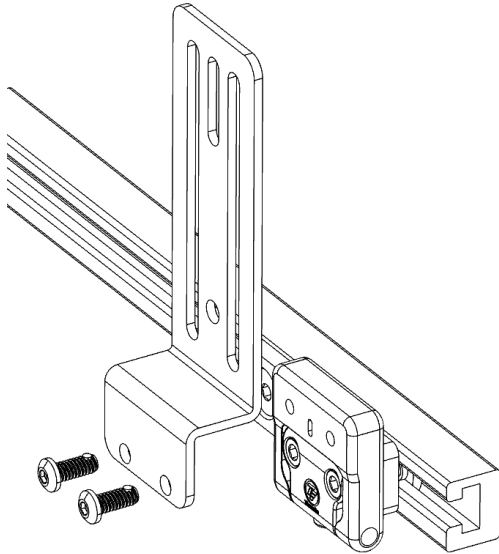
**Step 3:** Attach Swing away hinge using Socket Head Bolts




Therafin Corporation  
9450 W Laraway Road  
Frankfort, IL 60432 USA  
800-843-7234

# Flip Away Hip Guide for Quantum

**Step 4:** Attach Pad Mount Brackets using Button Head Bolts



## Care and Cleaning

 Caution: Always tighten all fasteners securely and inspect fasteners regularly for tightness.

1. Clean with mild detergent and water using damp cloth.  
Air Dry.



2. Check all fasteners and retighten as needed.

## Warranty

Any product found to be defective due to the material or workmanship within one year will be replaced under our return policy following product evaluation by Therafin Corporation. This replacement warranty does not include misuse or neglect of the product.

*Document 08679  
Revision A XX-2014*



 Therafin Corporation  
9450 W Laraway Road  
Frankfort, IL 60423 USA  
800-843-7234  
[www.therafin.com](http://www.therafin.com)